

**PROPOSED LEGEND**

SM	SANITARY MANHOLE
CB	CATCH BASIN
CB	CATCH BASIN
SM	STORM MANHOLE
HY	HYDRANT
GV	GATE VALVE & WELL
SO	SHUT OFF
ST	STORM
SM	SANITARY
WM	WATER MAIN
PE	PR. ELEVATION
FG	FINISH GRADE
FF	FINISH FLOOR
IE	INVERT ELEVATION
TC	TOP OF CURB
CU	GUTTER

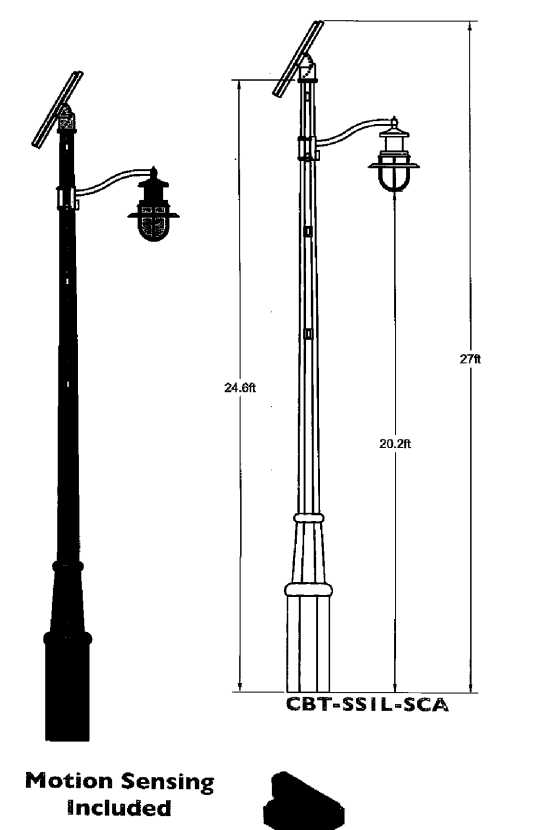
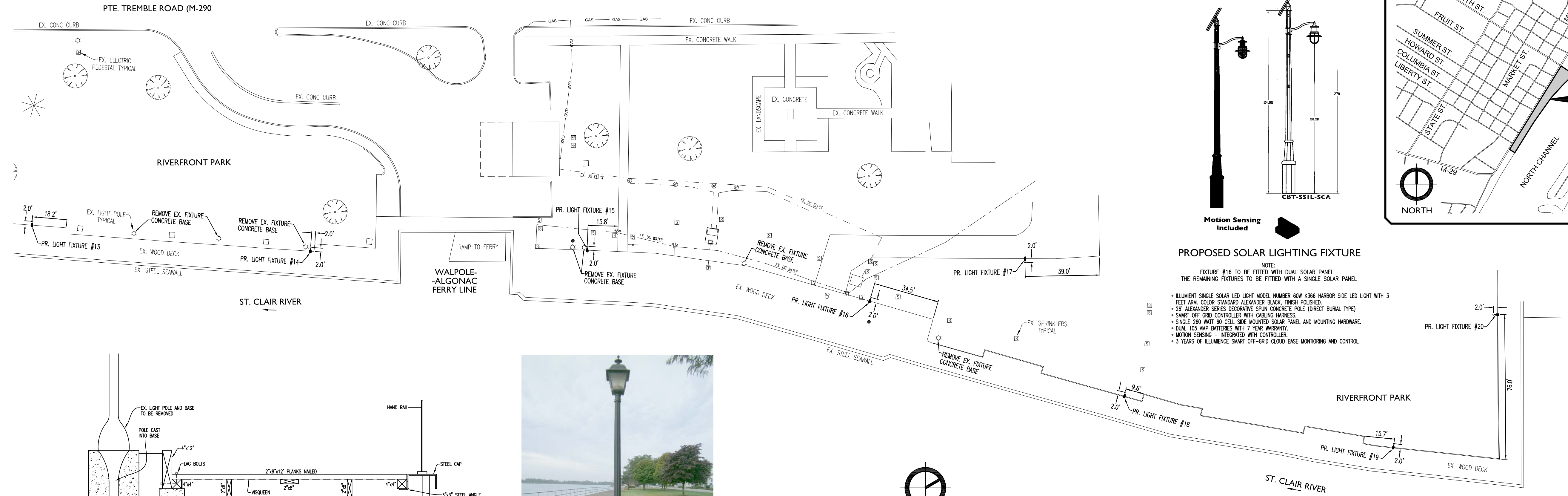
**EXISTING LEGEND**

BM	BENCHMARK
TP	TRAVEL POINT
MON	MONUMENT
IR	IRON PIPE
IR	IRON ROD
SM	SANITARY MANHOLE
CB	CATCH BASIN
CB	CATCH BASIN
SM	STORM MANHOLE
HY	HYDRANT
GV	GATE VALVE & WELL
SO	SHUT OFF
TM	TELEPHONE MANHOLE
GV	GAS VALVE
UP	UTILITY POLE
QA	QUAY ANCHOR
LP	LIGHT POLE
SR	SUR
MS	MANSARD
DT	DECIDUOUS TREE
CT	CONIFEROUS TREE
CB	CONIFEROUS BUSH
DB	DECIDUOUS BUSH
TL	TREE LINE
CF	CHAIN LINK FENCE
WF	WOOD FENCE
WB	WALL
SB	STONE OR BLOCK
OU	OVERHEAD UTILITIES
ST	STORM
SM	SANITARY
WM	WATER MAIN
GA	GAS
DD	0.00.00
SE	SPOT ELEVATION
FG	FINISH GRADE
FF	FINISH FLOOR
IE	INVERT ELEVATION
TC	TOP OF CURB
CU	GUTTER

UTILITY INFORMATION, AS SHOWN, INDICATES APPROXIMATE LOCATIONS AND TYPES OF FACILITIES ONLY, AS DISCLOSED TO THIS FIRM BY THE VARIOUS UTILITY COMPANY'S RECORDS. NO GUARANTEE IS GIVEN OR IMPLIED AS TO THE COMPLETENESS OR ACCURACY THEREOF.

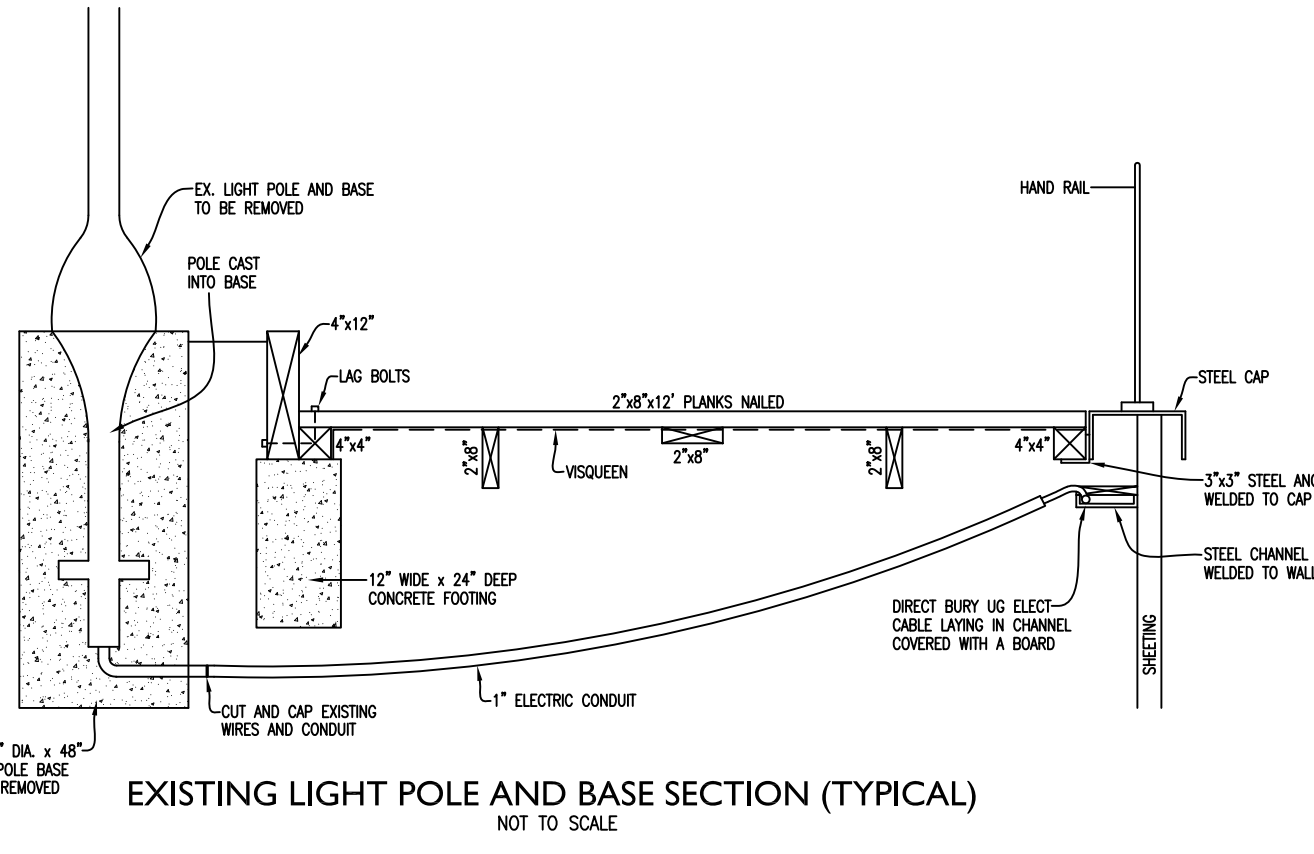
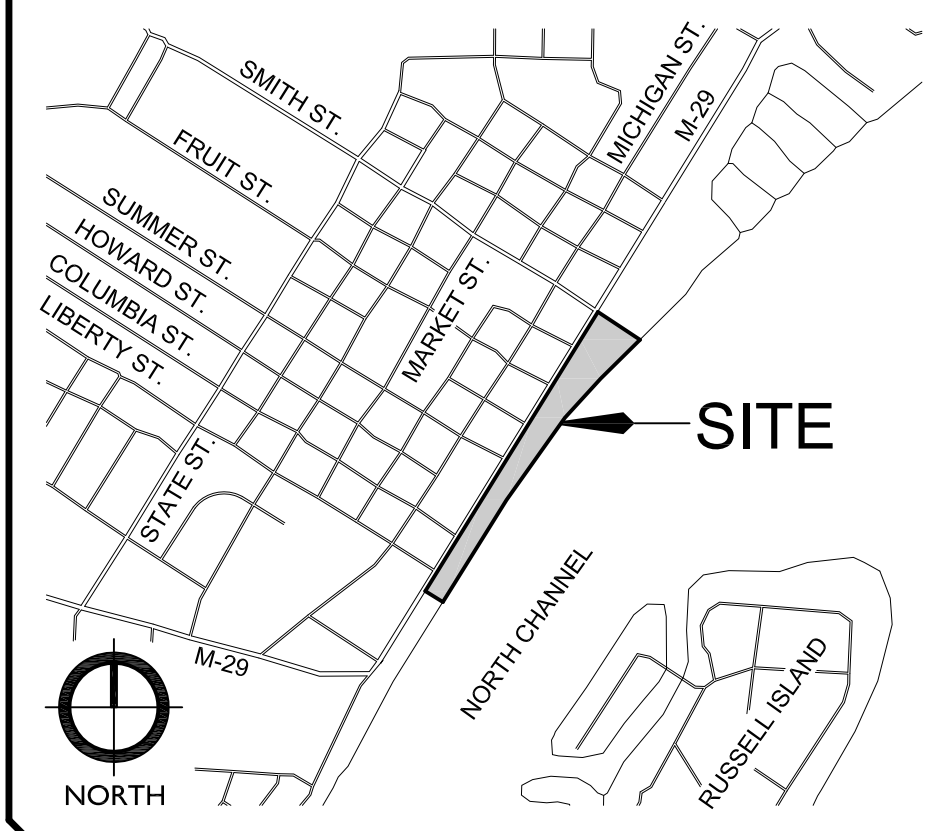
PRIOR TO CONSTRUCTION, ALL LOCATION AND DEPTHS OF EXISTING OVERHEAD AND UNDERGROUND UTILITIES (IN CONFLICT WITH THE CONSTRUCTION OF PROPOSED IMPROVEMENTS) SHALL BE VERIFIED IN THE FIELD.

DURING CONSTRUCTION, CONTRACTOR SHALL USE EXTREME CAUTION WHEN OPERATING NEAR OVERHEAD AND/OR BURIED UTILITIES. CALL MISS DIG.



**PROPOSED SOLAR LIGHTING FIXTURE**

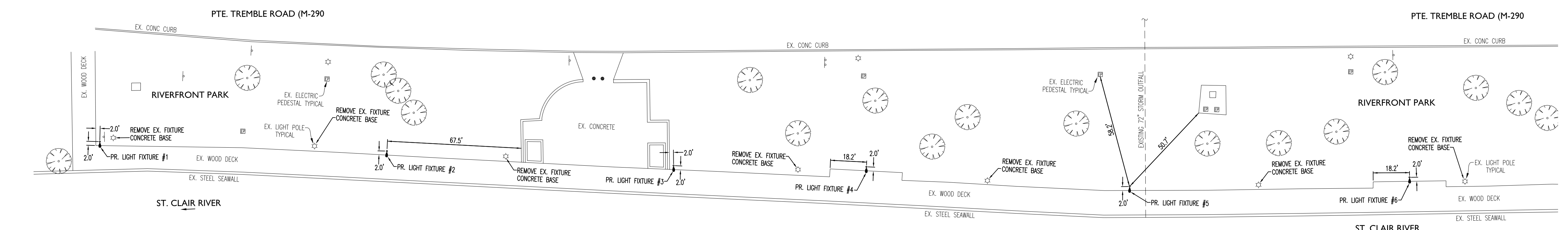
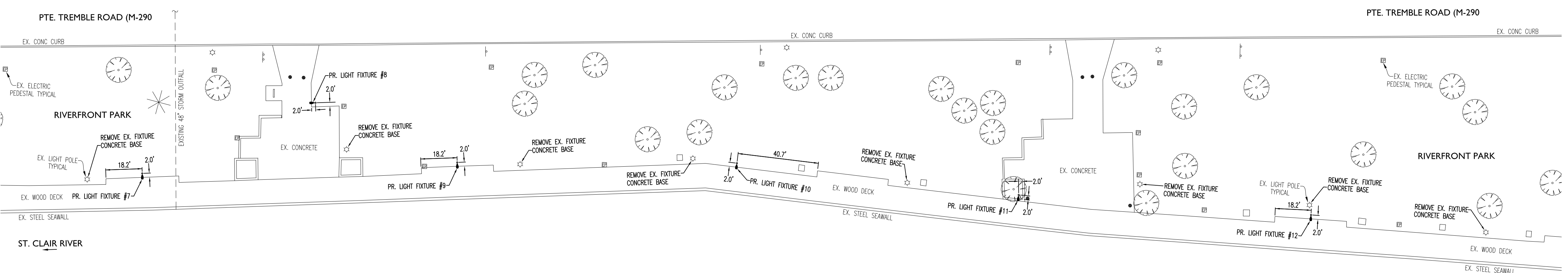
- NOTE:  
FIXTURE #16 TO BE FITTED WITH DUAL SOLAR PANEL  
THE REMAINING FIXTURES TO BE FITTED WITH A SINGLE SOLAR PANEL
- ILLUMINE SINGLE SOLAR LED LIGHT MODEL NUMBER 60W K366 HARBOR SIDE LED LIGHT WITH 3 FEET 1/4" COLOR STAINLESS ALUMINUM BLACK FINISH POLISHED.
  - 26" ALEXANDER SERIES DECORATIVE SPUN CONCRETE POLE (DIRECT BURIAL TYPE)
  - SMART OFF GRID CONTROLLER WITH CABLE HARNESS.
  - SINGLE 260 WATT 60 CELL SIDE MOUNTED SOLAR PANEL AND MOUNTING HARDWARE.
  - DUAL 105 AMP BATTERIES WITH 7 YEAR WARRANTY.
  - MOTION SENSING - INTEGRATED WITH CONTROLLER.
  - 3 YEARS OF ILLUMINE SMART OFF-GRID CLOUD BASE MONITORING AND CONTROL.



**EXISTING LIGHT POLE AND BASE SECTION (TYPICAL)**  
NOT TO SCALE



**EXISTING LIGHT POLE AND CONCRETE BASE**  
TO BE REMOVED (TYP. 23 E6)



DEVELOPER / OWNER  
**CITY OF ALGNON**  
805 ST. CLAIR RIVER DRIVE  
ALGNON, IL 48001  
810-794-9361

**PCE**  
Project Control Engineering, Inc.  
Engineers Surveyors Consultants  
P.O. Box 307  
2420 Pre. Tremble Road  
Algonon, IL 48001  
Phone 810.794.1931  
Fax 810.794.3331  
www.pce-eng.com

**COPYRIGHT © 2017**  
THIS DOCUMENT AND THE SUBJECT MATTER CONTAINED HEREIN IS PROPRIETARY AND MAY NOT BE REPRODUCED WITHOUT THE WRITTEN PERMISSION OF:  
**PROJECT CONTROL ENGINEERING, INC.**

DRAWING STATUS:  
 PRELIMINARY CONSTRUCTION  
 FINAL CONSTRUCTION  
 RECORD DOCUMENTS

DATE: 11-8-17  
REVISIONS:

**SITE PLAN**  
**WATERFRONT PARK LIGHT POLE REPLACEMENT PROJECT**

SHEET TITLE: PROJECT:

**811** Know what's below  
Call before you dig.

JOB NUMBER: 17-071  
DRAWN BY: TMG  
CHECK BY: JTM  
DRAWING ID: 17-071 topographic mapping  
SCALE: 1" = 30'